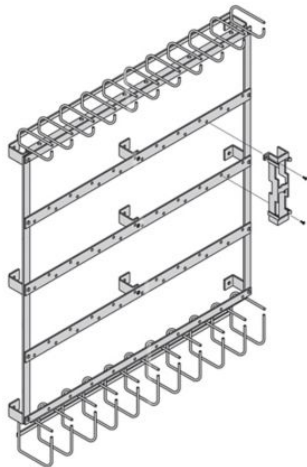


Eaton SB7200410AYZ

Catalog Number: SB7200410AYZ

Eaton B-Line series wall mount cross connect frame, 40" height, 39.125" length, 39.125" width, Steel, Yellow zinc, A569andA36 Steel frame yellow zinc, Steel jumper rings, Nylon block stand off brackets, Wall mounted cross connect frame



General specifications

| | |
|--|-----------------------|
| Product Name | Catalog Number |
| Eaton B-Line series wall mount cross connect frame | SB7200410AYZ |
| | UPC |
| | 799038034681 |
| Product Length/Depth | Product Height |
| 39.125 in | 40 in |
| Product Width | Product Weight |
| 39.125 in | 44 lb |
| Certifications | |
| Not Applicable | |

Product specifications

Type

Wall mounted cross connect frame

Material

Steel

Application

Support 66M-type quick connect blocks

Resources

Catalogs

[Distribution frames section of the Datacomm catalog](#)

Specifications and datasheets

[Eaton Specification Sheet - SB7200410AYZ](#)



Eaton Corporation plc
Eaton House
30 Pembroke Road
Dublin 4, Ireland
Eaton.com
© 2023 Eaton. All Rights Reserved.

Eaton is a registered trademark.

All other trademarks are property of their respective owners.



[Eaton.com/socialmedia](https://www.eaton.com/socialmedia)